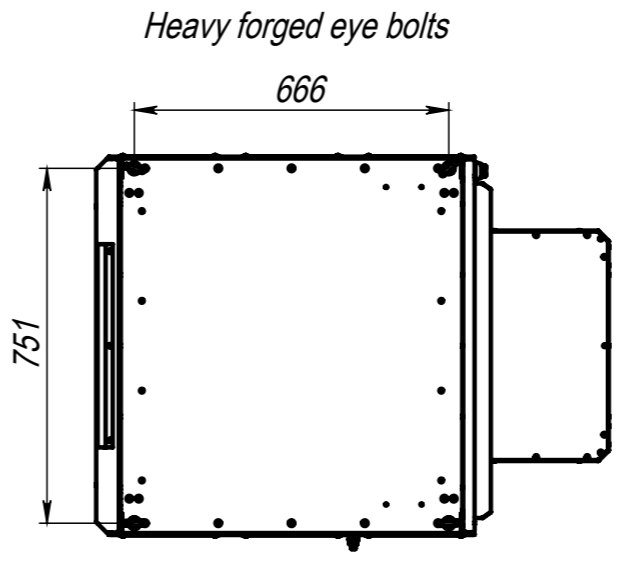
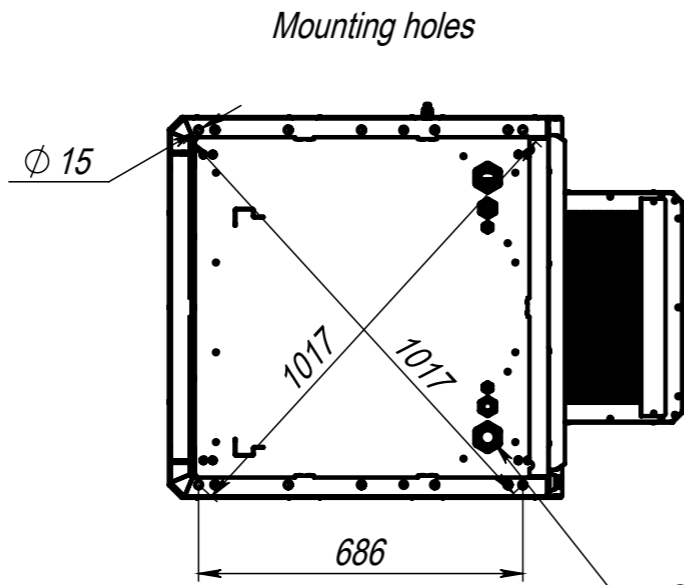
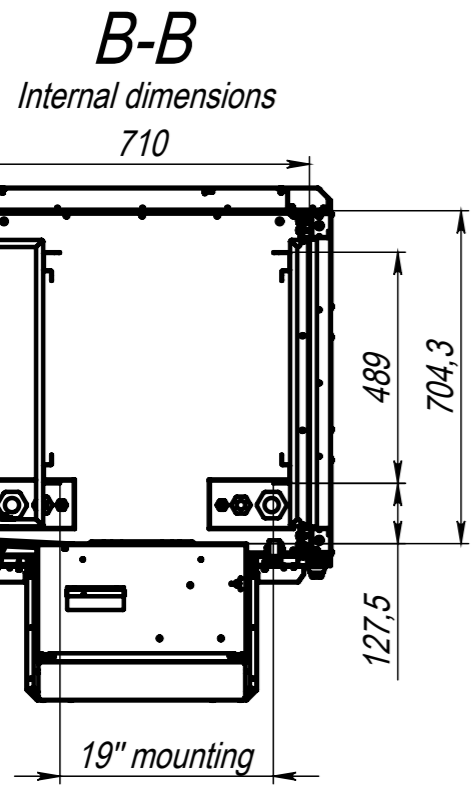
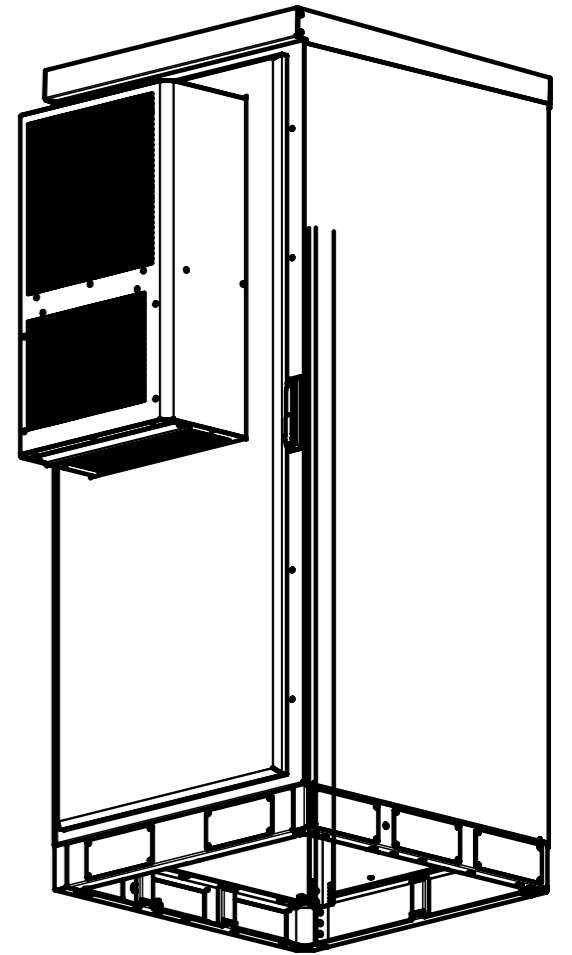
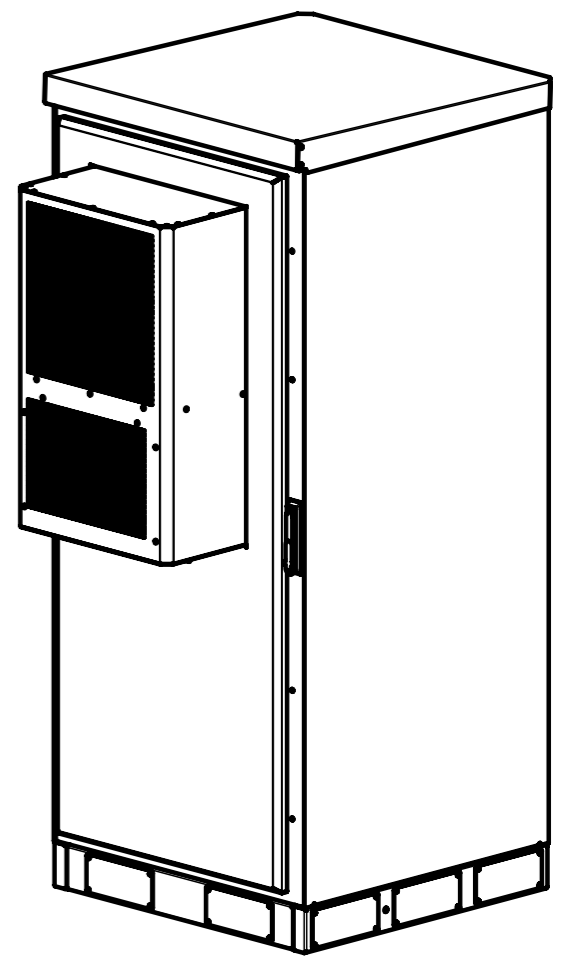
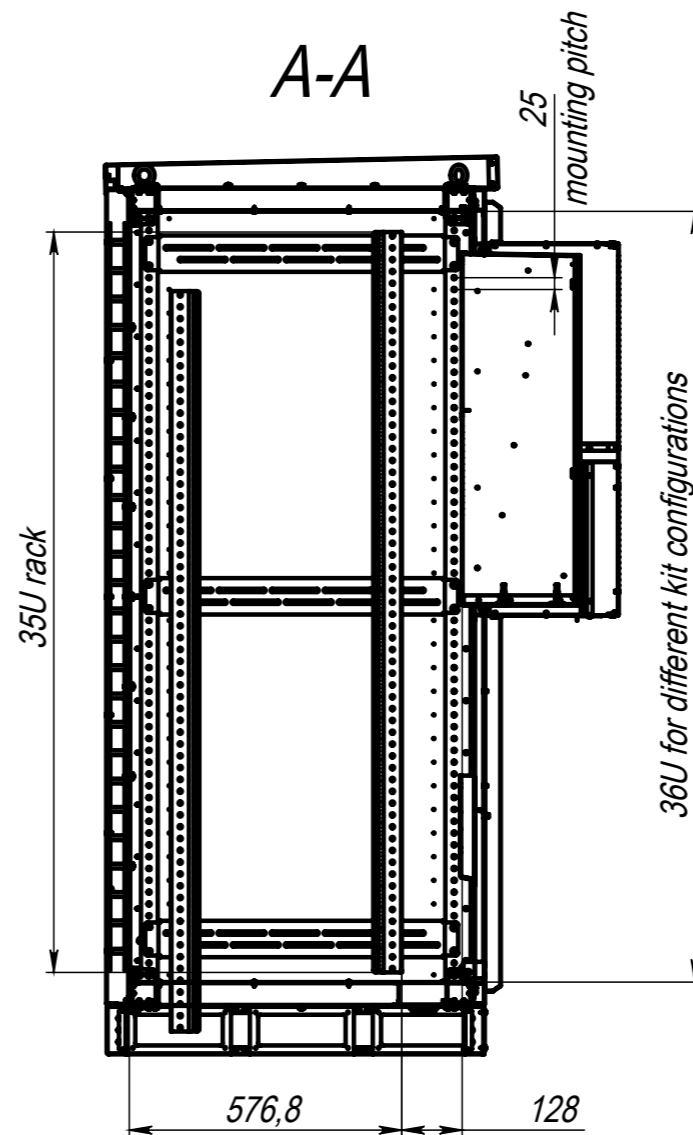
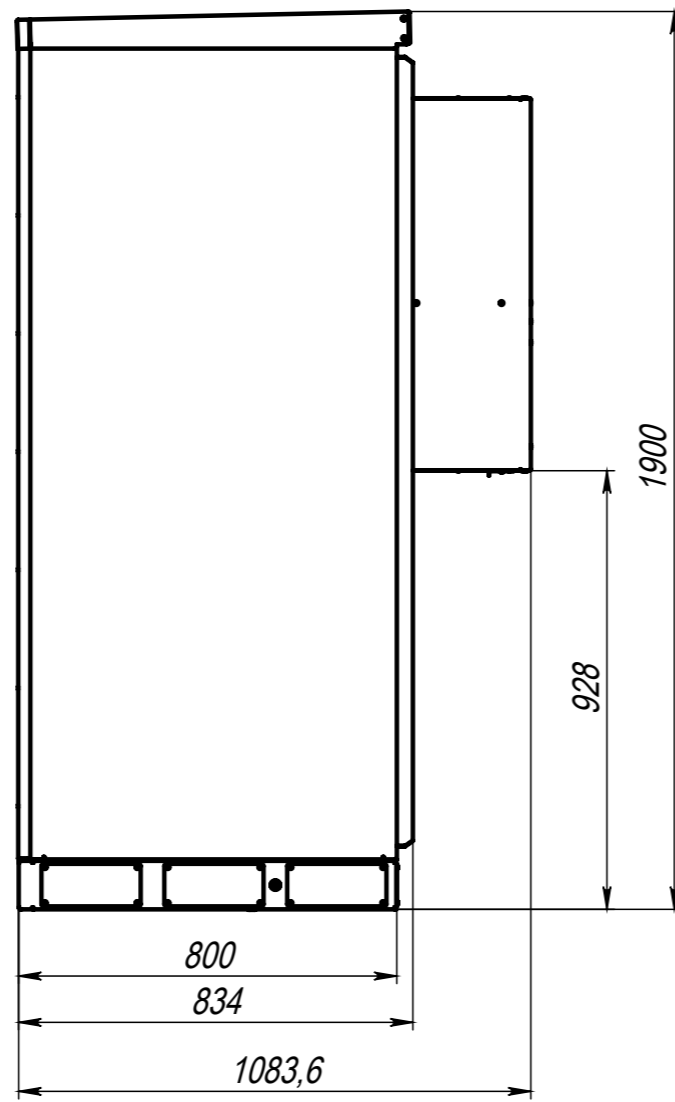
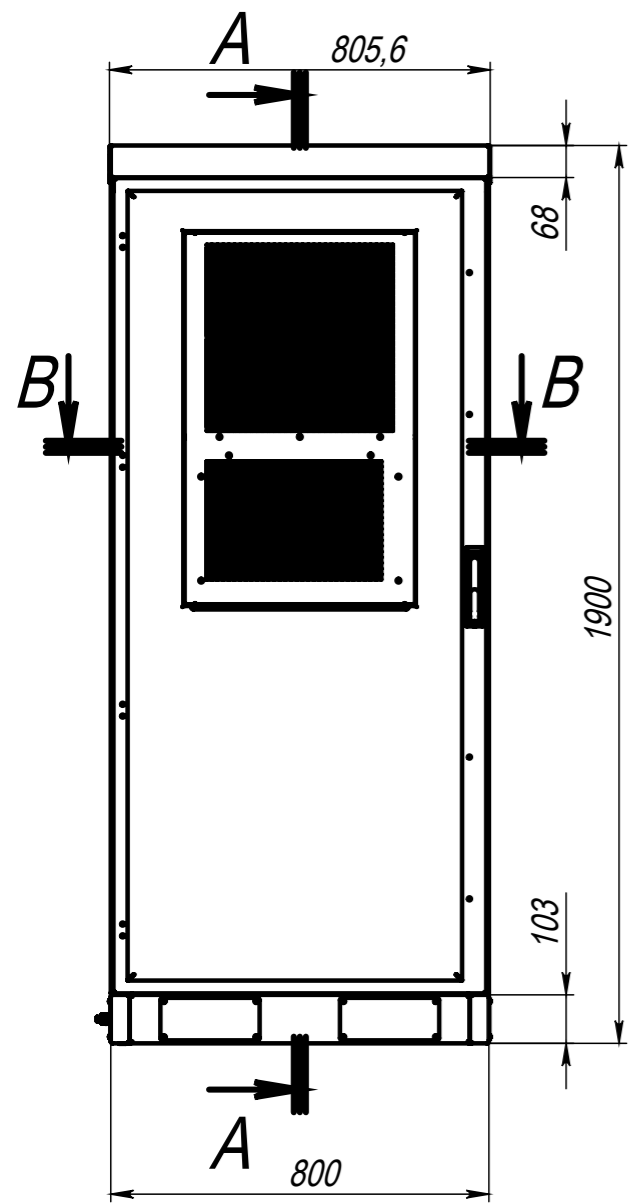


Dimensional drawing: Outdoor cabinet U36



Sealed cable glands