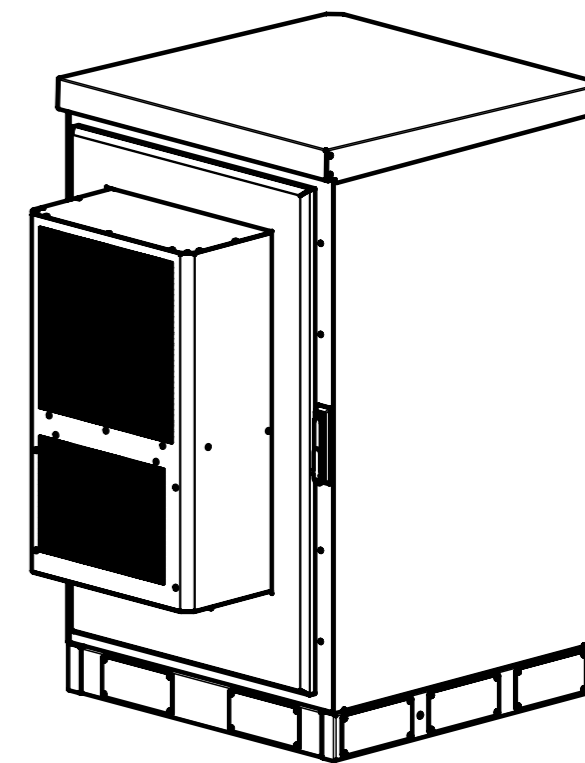
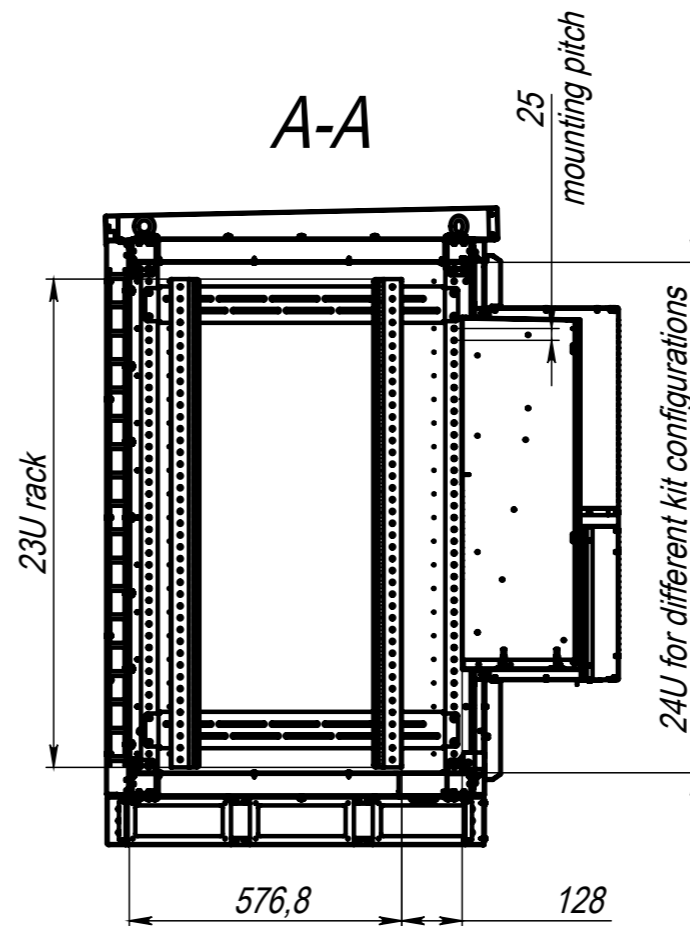
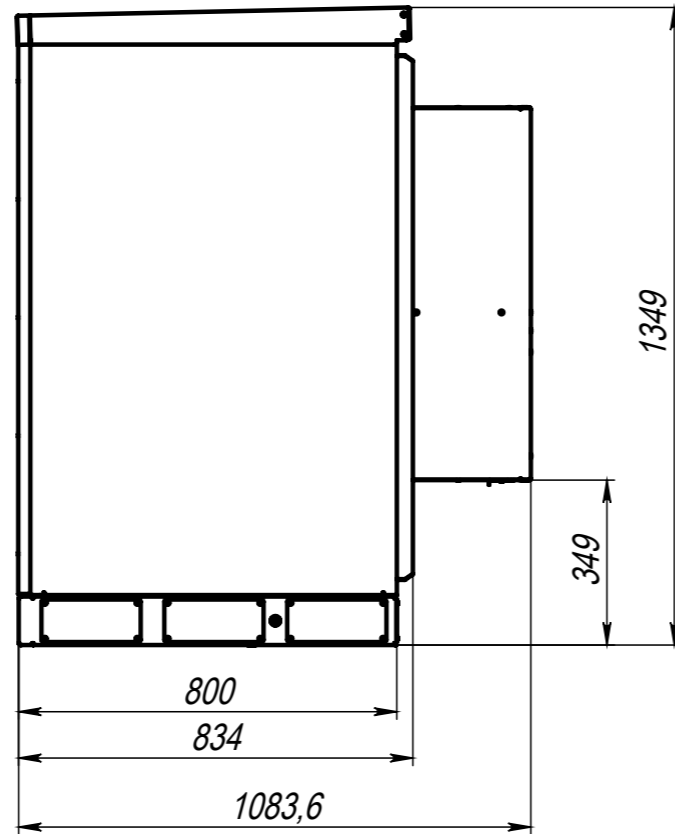
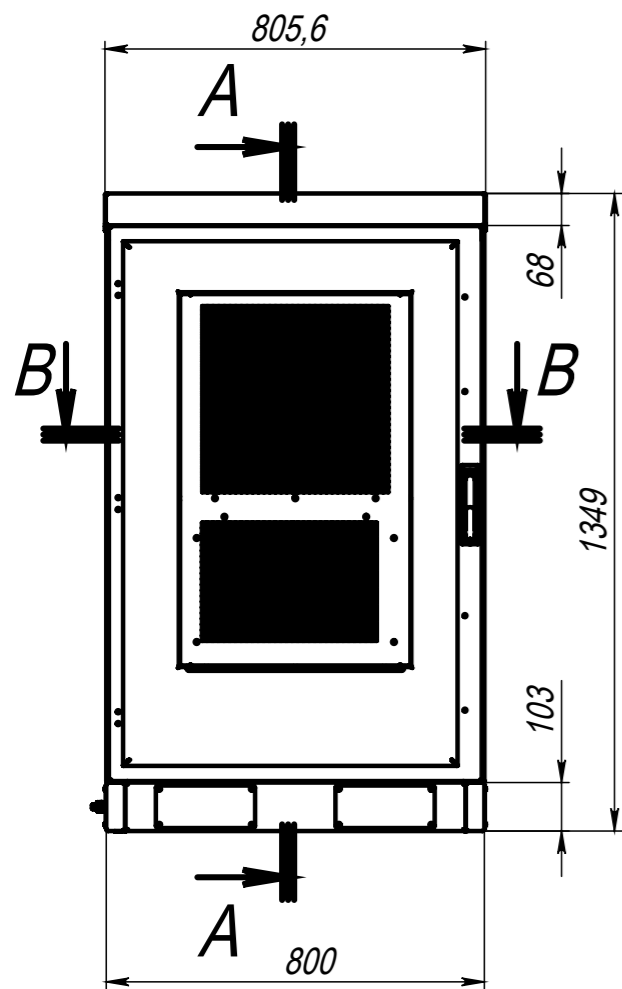
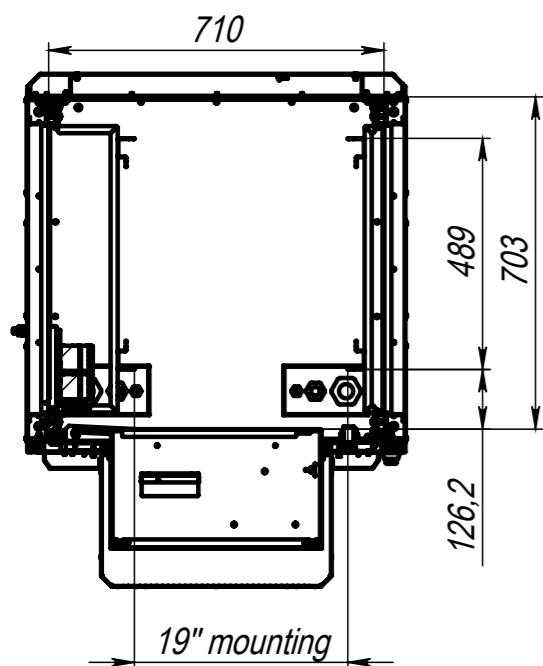


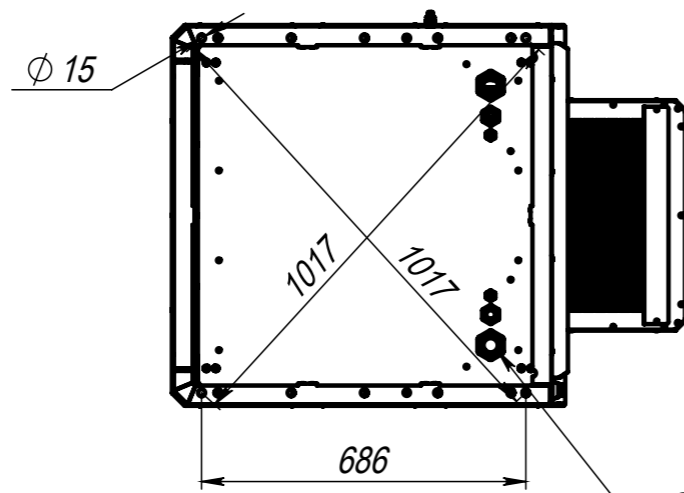
Dimensional drawing: Outdoor cabinet U24



**B-B**  
Internal dimensions



Mounting holes



Heavy forged eye bolts

